

Artificial Hibernating roost for Geoffroy's bat (Myotis emarginatus).

Since ten years I'm responsible for the follow-up of the fortress of Schoten near Antwerp.

The fortress is still in use by the army.

During our first winter-count we found four hibernating Geoffroy's bat.

They were all hanging in a crevice in the ceiling of the former gunpowderroom.

In the rest of the fortress there was nearly no suitable place to hang.

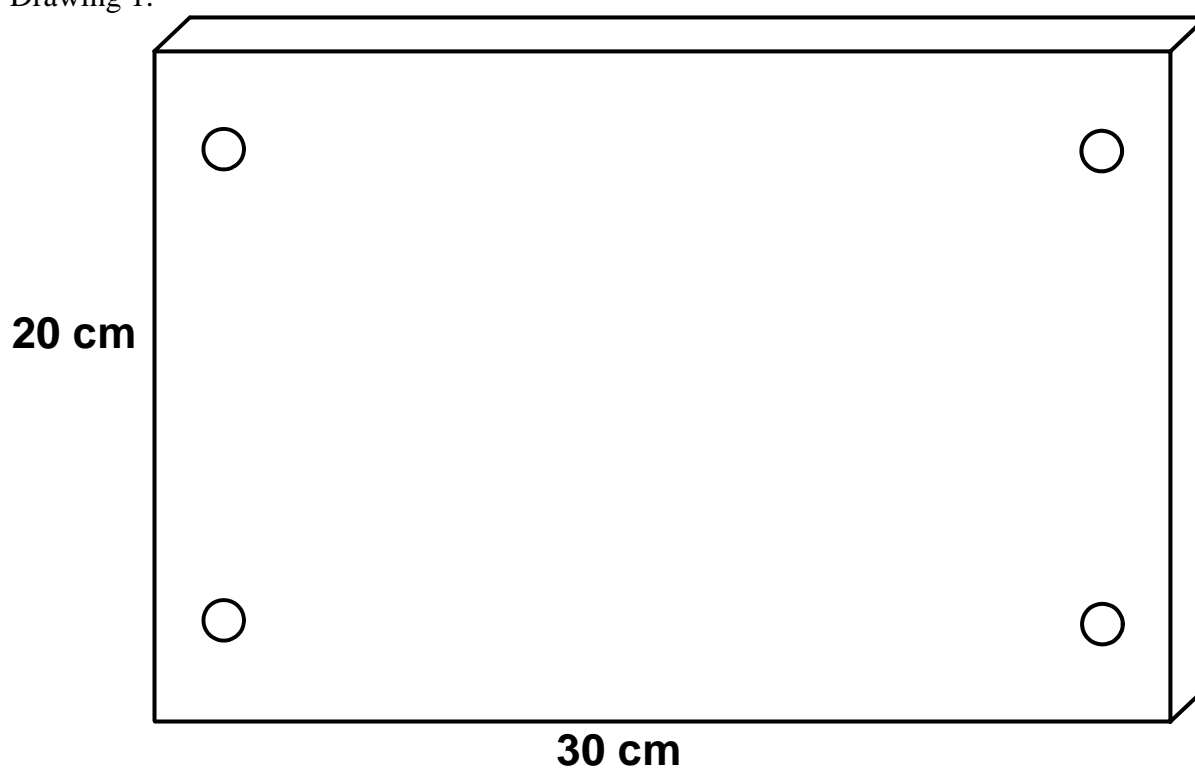
After some thinking I tried to imitate two crevices in the fortress of Kessel (near Antwerp) that each hold about 50 hibernating Geoffroy's bat every winter.

Now ten years later 22 Geoffroy's bat are hibernating in the fortress of Schoten.

This is the way I made the box (I used waterproof wood of 2.4cm thick) :

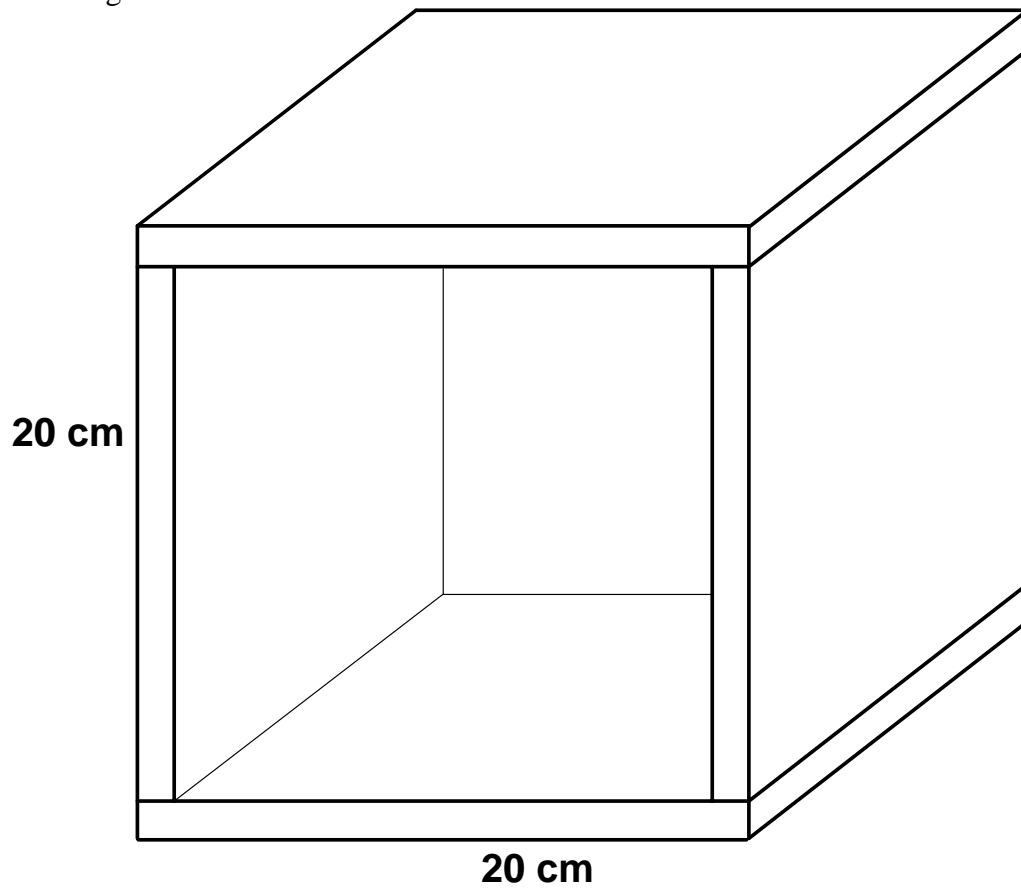
1. Take a board of 20 x 30 cm and drill holes in the corners to fit the box to the ceiling later.

Drawing 1.



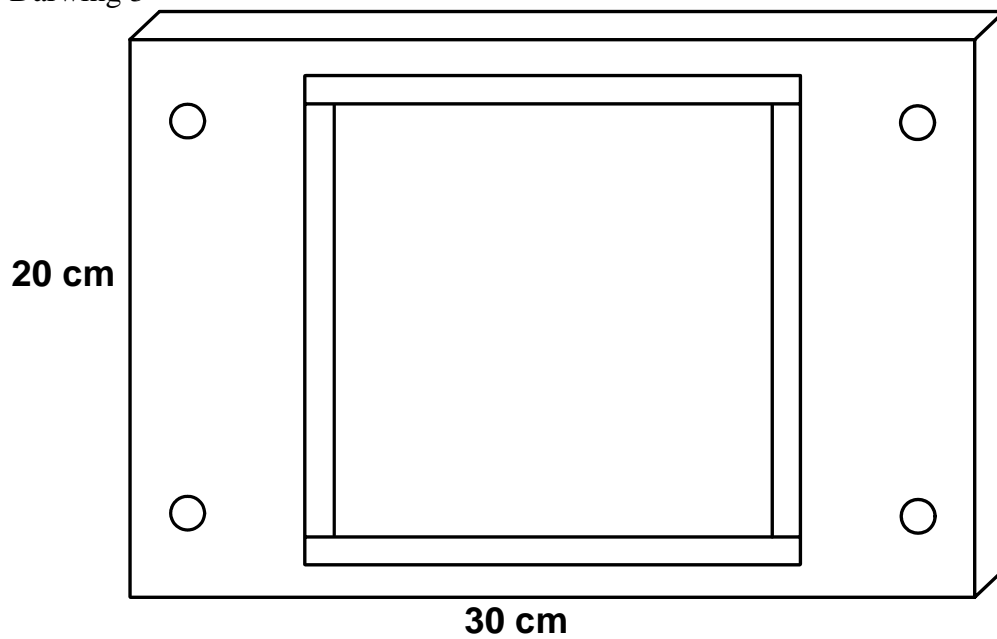
2. Create a box of 20x20cm using 4 planks and fix them with screws (better then nails).

Drawing 2



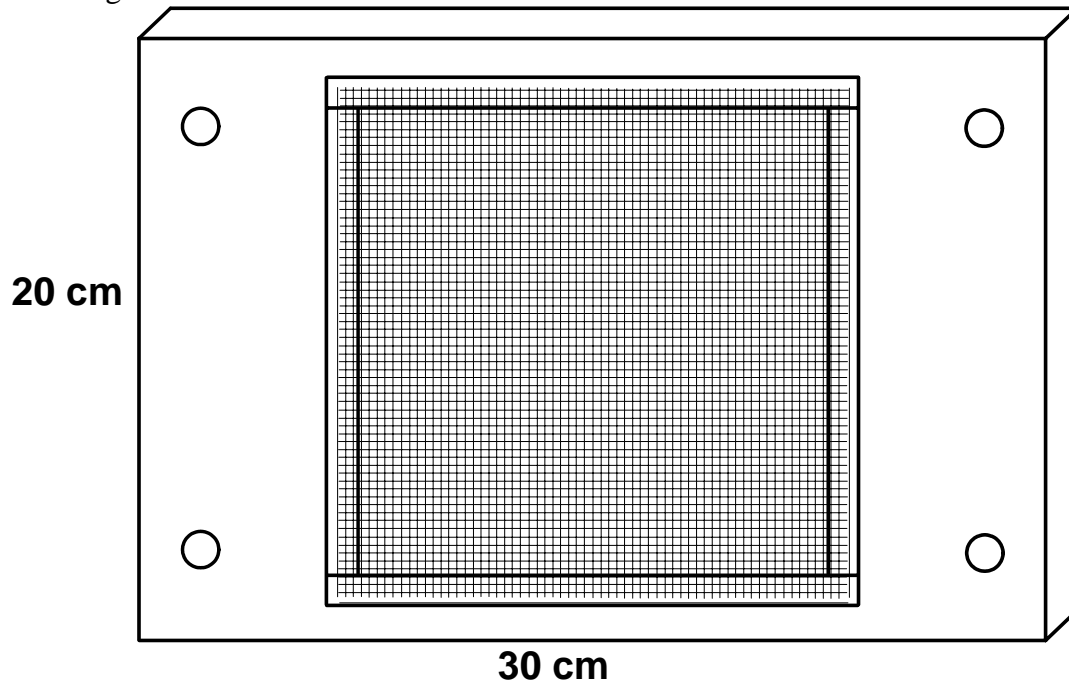
3. Fix 4 thin wooden laths to the first plank (drawing 1) also creating a square that fits in the box above (Drawing 2)

Darwing 3



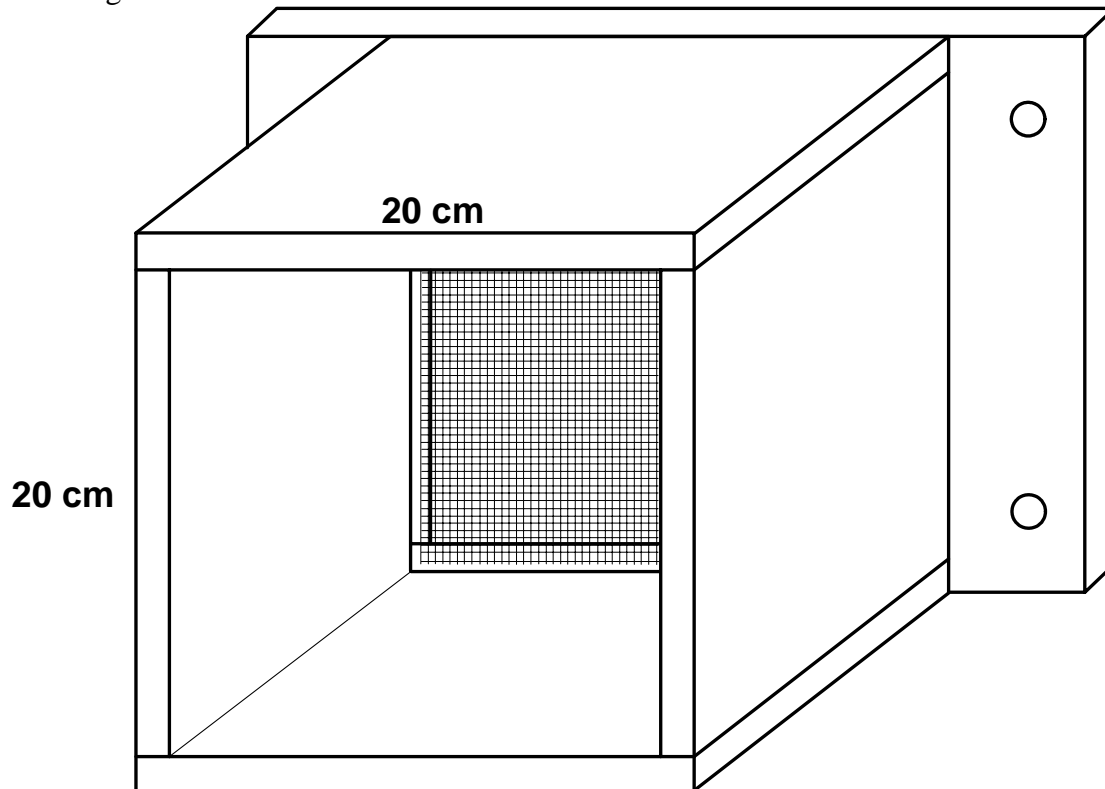
4. Attach a galvanised wire mesh to this square with some nails.

Drawing 4



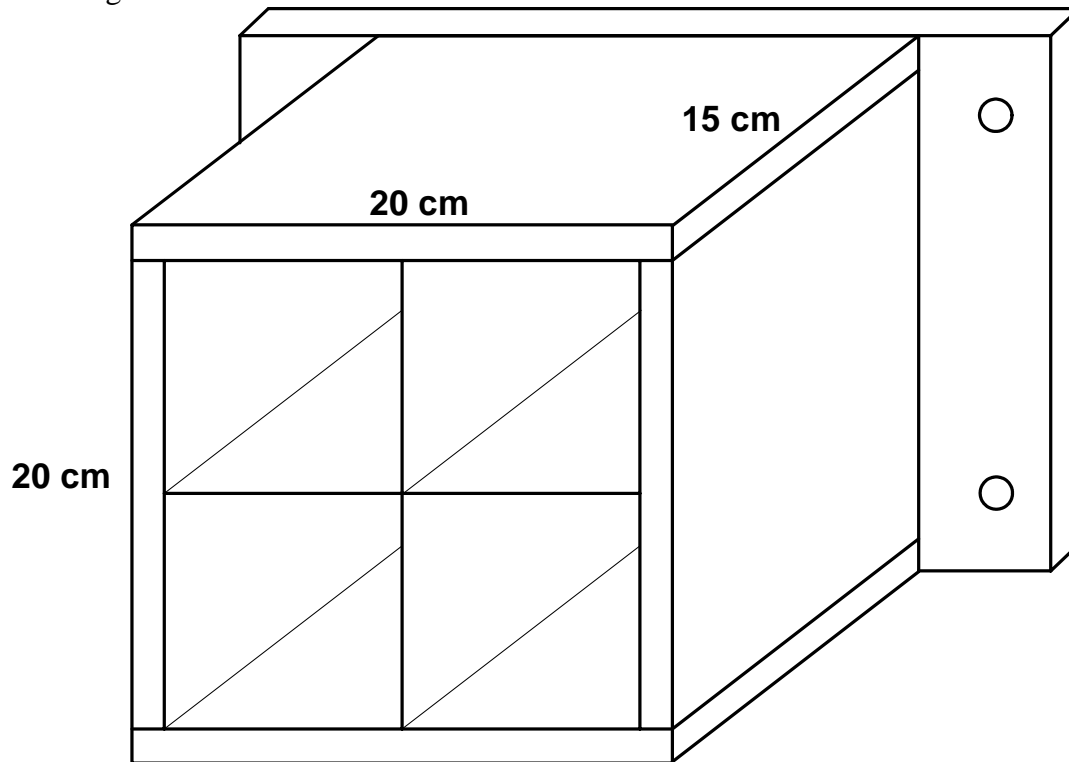
5. Attach the box (drawing 2) to the plank (drawing 4)

Drawing 5



6. Make a division in the box using a cross of two thin planks and fit it in the box

Drawing 6



7. Attach to the ceiling of the hibernating-roost and be patient.

Designed by :

Dirk Swaenen
Houtstraat 69
B2960 St-Lenaarts
Belgium
Bat Conservation group Flanders



Some pictures to proof it works :

